



BOSSTM



LADDERSPAN 3T

Mobile Aluminium Tower
1450/850 Ladderspan

3T - Through the Trapdoor Method

USER GUIDE





Safety First

Mobile Towers - 3T Method

INTRODUCTION

Please read this user guide carefully. Please note that diagrams are for illustrative purposes only. User guides are also available to download from our website at bossacesstowers.com/uk/resources/literature.

BoSS mobile aluminium towers are light-weight scaffold towers used throughout the building and construction industry for both indoor and outdoor access solutions where a stable and secure platform is required. Ideal for maintenance and installation work or short-term access, the highly versatile towers provide a strong working platform for a variety of heights.

This user guide provides you with step by step instructions to ensure your system is assembled easily and safely, using the 3T (Through the Trapdoor) method.

The law requires that personnel erecting, dismantling or altering towers must be competent. Any person erecting a BoSS mobile tower must have a copy of this guide. For further information on the use of mobile access and working towers consult the PASMA operators' code of practice.

If you need further information, design advice, additional guides or any other help with this product, please contact the manufacturer on +44 (0)1621 745900 or email uk.customercare@wernerco.com

COMPLIANCES

The BoSS Ladderspan aluminium system has been tested and certified to EN 1004: 2004 Class 3



Instruction Manual EN 1298-IM-EN

PREPARATION AND INSPECTION

Inspect the equipment before use to ensure that it is not damaged and that it functions properly. Damaged or incorrect components should not be used.



Safety First

SAFE USE

- Check that all components are on site, undamaged and that they are functioning correctly - (refer to Checklist and Quantity Schedules). Damaged or incorrect components should not be used.
- Check if the ground on which the mobile access tower is to be erected and moved is capable of supporting the tower.
- The safe working load is 275 kgs (606lbs), per platform level, uniformly distributed up to a maximum of 950kgs (2100lbs), per tower (including self-weight).
- Towers **must** always be climbed from the inside using the built-in ladder during assembly and use.
- It is recommended that towers should be tied to a solid structure when left unattended.
- Adjustable legs should only be used for levelling.

LIFTING OF EQUIPMENT

- Tower components should be lifted using a reliable lifting material (e.g. strong rope), employing a reliable knot (e.g. clove hitch), to ensure safe fastening and always lift within the footprint of the tower.
- Assembled mobile towers should not be lifted with a crane or other lifting devices.



Safety First

STABILISERS/BALLAST

- Stabilisers or outriggers and ballast weights shall always be fitted when specified.
- The Quantity Schedules show the recommended stabilisation. In circumstances where there is restricted ground clearance for stabilisers/outriggers, contact your supplier for advice. Ballast must be of solid materials (i.e. not water or loose sand) and should not be positioned to overload individual legs. Ballast should be secured against accidental removal where practicable, and be supported on the lowest rung of the bottom frame.

MOVEMENT

- The tower should only be moved by manual effort, and only from the base.
- When moving the tower, beware of live electrical apparatus, (particularly overhead) plus wires or moving parts of machinery.
- No person or materials should be on the tower during movement.
- Caution should be exercised when wheeling a tower over rough, uneven or sloping ground, taking care to unlock and lock castors. If stabilisers are fitted, they should only be lifted a maximum of 25mm above the ground to clear ground obstructions.
- The overall height of the tower when being moved, should not exceed 2.5 times the minimum base dimensions, or 4 metres overall height.
- Before use, check that the tower is still correct and complete.
- After every movement of the tower, use a spirit level to check that it is vertical and level and set the adjustable legs as required.
- Do not move the tower in wind speeds over 7.7 metres per second (17mph).



Safety First

DURING USE

- Beware of high winds in exposed, gusty or medium breeze conditions. We recommend that in wind speeds over 7.7 metres per second (17 mph), cease working on the tower and do not attempt to move it. If the wind becomes a strong breeze, (expected to reach 11.3 metres per second - 25 mph) tie the tower to a rigid structure. If the wind is likely to reach gale force, (over 18 metres per second - 40 mph) the tower should be dismantled.

WIND DESCRIPTION	BEAUFORT SCALE	BEAUFORT NO	SPEED IN MPH	SPEED IN M/SEC
Medium Breeze	Raises dust and loose paper, twigs snap off	4	8-12	4-6
Strong Breeze	Large branches in motion, telegraph wires whistle	6	25-31	11-14
Gale Force	Walking is difficult	8	39-46	17-21

- Beware of open ended buildings, which can cause a funnelling effect.
- Do not abuse equipment. Damaged or incorrect components shall not be used.
- Raising and lowering components, tools, and/or materials by rope should be conducted within the lower base. Ensure that the safe working load of the supporting decks and the tower structure is not exceeded.
- The assembled tower is a working platform and should not be used as a means of access or egress to other structures.
- Beware of horizontal forces (e.g. power tools) which could generate instability. **Maximum horizontal force 20kg.**
- The stairway towers, featuring an inclined staircase access, are for frequent use by personnel carrying tools and/or materials.
- Mobile towers are not designed to be suspended - please refer to your supplier for advice.
- Do not use boxes or stepladders or other objects on the platform to gain extra height.





Safety First

TIES

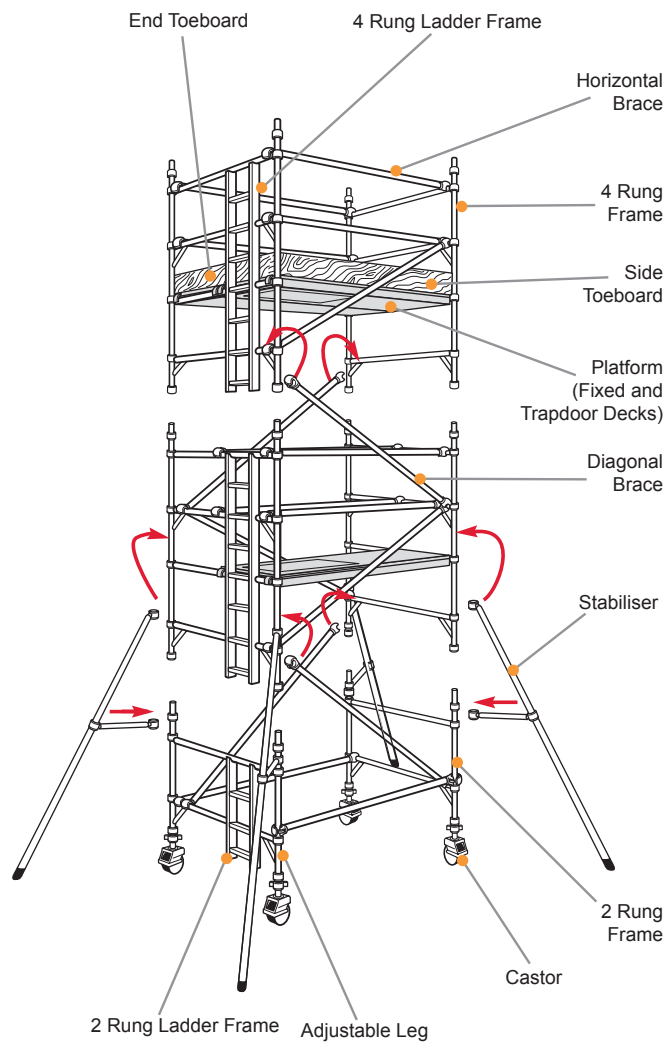
- Ties should be used when the tower goes beyond its safe height, beyond the limits of the stabilisers/outriggers, or if there is a danger of instability. They should be rigid, two-way ties fastened to both uprights of the frame with load-bearing right angled or swivel couplers. Only couplers suitable for the 50.8mm diameter tube of the tower should be used. Ideally, ties should be secured to both faces of a solid structure by means of anchorages.
- The tie frequency may vary depending on the application, but they should (at a minimum) be at every 4 metres height.
- For further information on tying-in a tower please contact your supplier or BoSS.

MAINTENANCE - STORAGE - TRANSPORT

- All components and their parts should be regularly inspected to identify damage, particularly to joints. Lost or broken parts should be replaced, and any tubing with indentation greater than 5mm should not be used and put to one side for manufacture repair. Adjustable leg threads should be cleaned and lightly lubricated to keep them free running.
- Brace claws, frame interlock clips, trapdoor latches and platform windlocks should be regularly checked to ensure that they lock correctly.
- Refer to the BoSS user guide for detailed inspection and maintenance advice.
- Components should be stored with due care to prevent damage.
- Ensure components are not damaged by excessive strapping forces when transported.



Safety First



Quantity Schedule

1450 Width Towers

BoSS 1450 Ladderspan to EN 1004: Available in 2 lengths - 1.8m and 2.5m

Internal/External Use - Towers under 2.5m are outside of the scope of EN1004

COMPONENT	Internal Use																								
	3.2	3.7	4.2	4.7	5.2	5.7	6.2	6.7	7.2	7.7	8.2	8.7	9.2	9.7	10.2	10.7	11.2	11.7	12.2	12.7	13.2	13.7	14.2		
125/150/200mm Castor	4	4	4	4	4	4	4	4	4	4	4	4	4	4	4	4	4	4	4	4	4	4	4	4	
Adjustable leg assembly	4	4	4	4	4	4	4	4	4	4	4	4	4	4	4	4	4	4	4	4	4	4	4	4	
1450 2 Rung Ladder Frame	1	1			1	1					1	1					1	1					1	1	
1450 2 Rung Span Frame	1	1			1	1					1	1					1	1					1	1	
1450 3 Rung Ladder Frame	1	1			1	1					1	1					1	1					1	1	
1450 3 Rung Span Frame	1	1			1	1					1	1					1	1					1	1	
1450 4 Rung Ladder Frame	1	1	1	2	1	2	2	3	2	3	3	4	3	4	3	4	4	5	4	5	4	5	6	5	6
1450 4 Rung Span Frame	1	1	1	2	1	2	2	3	2	3	3	4	3	4	3	4	4	5	4	5	4	5	6	5	6
1.8m and 2.5m Fixed Deck	1	1	2	1	1	1	2	1	1	2	1	1	2	1	1	2	1	1	2	1	1	2	1	1	1
1.8m and 2.5m Trap Door Deck	1	1	1	2	2	2	2	3	3	3	3	4	4	4	4	4	5	5	5	5	5	6	6	6	
1.8m and 2.5m Horizontal Brace (red)	6	6	6	10	10	10	14	14	14	14	14	18	18	18	18	18	22	22	22	22	22	26	26	26	
2.1m and 2.7m Diagonal Brace (blue)	2	3	3	4	5	6	7	8	9	10	11	12	13	14	15	16	17	18	19	20	21	22	23	23	

IMPORTANT: Please ensure you also read the [Quantity Schedule on page 8](#).
*If you are unable to position the working platform easily from the ground, you may require an additional fixed platform for this tower height.

Quantity Schedule

1450 Width Towers

BoSS 1450 Ladderspan to EN 1004: Available in 2 lengths - 1.8m and 2.5m

COMPONENT	Internal/External Use										Internal Use													
	3.2	3.7	4.2	4.7	5.2	5.7	6.2	6.7	7.2	7.7	8.2	8.7	9.2	9.7	10.2	10.7	11.2	11.7	12.2	12.7	13.2	13.7	14.2	
1.8m and 2.5m Side Toeboard	2	2	2	2	2	2	2	2	2	2	2	2	2	2	2	2	2	2	2	2	2	2	2	2
1.2m End Toeboard	2	2	2	2	2	2	2	2	2	2	2	2	2	2	2	2	2	2	2	2	2	2	2	2
Toeboard Holder	4	4	4	4	4	4	4	4	4	4	4	4	4	4	4	4	4	4	4	4	4	4	4	4
SP7 Fixed Stabiliser					4	4	4	4	4															
SP10 Telescopic Stabiliser										4	4	4	4	4										
SP15 Telescopic Stabiliser															4									
1.8m TOWER Total Self-weight (kgs)	91	99	103	146	161	169	175	195	210	231	237	257	272	279	300	306	320	328	334	354	369	377	383	
2.5m TOWER Total Self-weight (kgs)	108	116	143	169	185	194	201	226	243	264	271	296	313	321	343	354	370	378	385	411	427	436	443	

See pages 10 and 30 for stabiliser positions.



Quantity Schedule

1450 Width Towers

NUMBER OF WORKING PLATFORMS ALLOWED

The **MAXIMUM SAFE WORKING LOAD** (the combined weight of the users, tools and materials) that may be placed on the tower is the total weight less than the self-weight of the tower. The total weight for the towers shown in the schedule is 950kg.

Example 1:

A 1450 tower built using the 3T method with a 4.2m platform height and a platform length of 1.8m has a self-weight of 175kg.

$$\begin{array}{rcl} 950\text{kg} & 175\text{kg} & = 775\text{kg maximum safe working load} \\ \text{Total Weight} - \text{Self-weight} & & \text{(users, tools and materials)} \end{array}$$

Example 2:

A 1450 tower built using the 3T method with a 11.7m platform height and a platform length of 2.5m has a self-weight of 436kg.

$$\begin{array}{rcl} 950\text{kg} & 436\text{kg} & = 514\text{kg maximum safe working load} \\ \text{Total Weight} - \text{Self-weight} & & \text{(users, tools and materials)} \end{array}$$

For greater heights and loads, consult BoSS for guidance.

PLATFORM LOADING

On a 1450 tower a platform may comprise of a single deck or two decks placed side by side. The maximum safe working load (the combined weight of the users, tools and materials) that may be placed on a platform is 275kg. This must be evenly distributed over either one deck, or two decks placed side by side.

The quantities on [page 7 and 8](#), will enable BoSS towers to be built safely and therefore comply with the requirements of the Work at Height Regulations. They include double guardrails to all platforms, and toeboards will need to be added if any levels are used as working platforms and for storage of materials.

EN 1004 requires platforms at least every 4.2m, and these measures will exceed that requirement.

Quantity Schedule

1450 Width Towers

BALLAST: Internal/External Use

There is no requirement for ballast on 1450 towers if using stabilisers as detailed in the table on [page 8](#).

MOBILE OUTRIGGERS

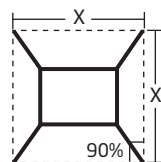
MP16 outriggers can be used instead of SP15 stabilisers, as detailed below. Mobile outrigger kits comprise:

MOBILE OUTRIGGER KIT	
MP16 Mobile Outrigger	4
125/150/200mm Castor (Use same diameter castors as on tower)	4
250mm Adjustable leg	4
Plan Braces	4
The above components replace: SP15 Stabiliser	4

STABILISERS

To improve rigidity, larger stabilisers can be used at a lower level than shown in the table on [page 8](#).

Angle of Stabiliser 1450 TOWER



Double width 1450 Towers Dimension X

	PLATFORM LENGTH 1.8M	PLATFORM LENGTH 2.5M
SP7	X= 3351	X= 3629
SP10	X= 4789	X= 5100
SP15	X= 5520	X= 5838

Stabiliser feet should form a square as shown in the diagram and table above.

Quantity Schedule

850 Width Towers

BoSS 850 Ladderspan to EN 1004: Available in 2 lengths - 1.8m and 2.5m

COMPONENT	Internal/External Use - Towers under 2.5m are outside of the scope of EN1004										Internal Use														
	WORKING HEIGHT (m)	3.2	3.7	4.2	4.7	5.2	5.7	6.2	6.7	7.2	7.7	8.2	8.7	9.2	9.7	10.2	10.7	11.2	11.7	12.2	12.7	13.2	13.7	14.2	
PLATFORM HEIGHT (m)	1.2	1.7	2.2	2.7	3.2	3.7	4.2	4.7	5.2	5.7	6.2	6.7	7.2	7.7	8.2	8.7	9.2	9.7	10.2	10.7	11.2	11.7	12.2	12.7	
125/150/200mm Castor	4	4	4	4	4	4	4	4	4	4	4	4	4	4	4	4	4	4	4	4	4	4	4	4	4
Adjustable leg assembly	4	4	4	4	4	4	4	4	4	4	4	4	4	4	4	4	4	4	4	4	4	4	4	4	4
850 2 Rung Ladder Frame	1	1	1	1	1	1	1	1	1	1	1	1	1	1	1	1	1	1	1	1	1	1	1	1	1
850 2 Rung Span Frame	1	1	1	1	1	1	1	1	1	1	1	1	1	1	1	1	1	1	1	1	1	1	1	1	1
850 3 Rung Ladder Frame	1	1	1	1	1	1	1	1	1	1	1	1	1	1	1	1	1	1	1	1	1	1	1	1	1
850 3 Rung Span Frame	1	1	1	1	1	1	1	1	1	1	1	1	1	1	1	1	1	1	1	1	1	1	1	1	1
850 4 Rung Ladder Frame	1	1	1	1	1	1	1	1	1	1	1	1	1	1	1	1	1	1	1	1	1	1	1	1	1
850 4 Rung Span Frame	1	1	1	1	1	1	1	1	1	1	1	1	1	1	1	1	1	1	1	1	1	1	1	1	1
1.8m and 2.5m Trap Door Deck	1	1	1*	2	2	2	2	2	2	2	2	2	2	2	2	2	2	2	2	2	2	2	2	2	2
1.8m and 2.5m Horizontal Brace (red)	6	6	6	6	10	10	10	10	10	14	14	14	14	14	18	18	18	18	18	18	22	22	22	26	26
2.1m and 2.7m Diagonal Brace (blue)	2	3	3	4	5	6	7	8	9	10	11	12	13	14	15	16	17	18	19	20	21	22	23	23	23
1.8m and 2.5m Side Toeboard	2	2	2	2	2	2	2	2	2	2	2	2	2	2	2	2	2	2	2	2	2	2	2	2	2

IMPORTANT: Please ensure you also read the [Quantity Schedule on page 12](#).
 * If you are unable to position the working platform easily from the ground, you may require an additional fixed platform for this tower height.

Quantity Schedule

850 Width Towers

BoSS 850 Ladderspan to EN 1004: Available in 2 lengths - 1.8m and 2.5m

Internal/External Use - Towers under 2.5m are outside of the scope of EN1004

COMPONENT	WORKING HEIGHT (m)				PLATFORM HEIGHT (m)				Internal Use															
	3.2	3.7	4.2	4.7	5.2	5.7	6.2	6.7	7.2	7.7	8.2	8.7	9.2	9.7	10.2	10.7	11.2	11.7	12.2	12.7	13.2	13.7	14.2	
0.6m End Toeboard	2	2	2	2	2	2	2	2	2	2	2	2	2	2	2	2	2	2	2	2	2	2	2	2
Toeboard Holder	4	4	4	4	4	4	4	4	4	4	4	4	4	4	4	4	4	4	4	4	4	4	4	4
SP7 Fixed Stabiliser																								
SP10 Telescopic Stabiliser		4	4	4	4	4	4	4																
SP15 Telescopic Stabiliser											4	4	4	4	4	4	4	4	4	4	4	4	4	4
1.8m TOWER Total Self-weight (Kgs)	72	79	106	126	139	146	151	172	186	204	210	230	243	250	270	276	289	296	301	321	335	341	347	
2.5m TOWER Total Self-weight (Kgs)	84	90	117	143	158	165	172	198	225	233	239	264	280	286	302	318	334	341	347	372	401	408	415	

See page 14 and 30 for stabiliser positions.



Quantity Schedule

850 Width Towers

NUMBER OF WORKING PLATFORMS ALLOWED

The MAXIMUM SAFE WORKING LOAD (the combined weight of the users, tools and materials) that may be placed on the tower is the total weight less the self-weight of the tower. The total weight for the towers shown in the schedule is 950kg.

Example 1:

An 850 tower built using the 3T method with a 4.2m platform height and a platform length of 1.8m has a self-weight of 151kg.

$$\begin{array}{rcl} 950\text{kg} & 151\text{kg} & \\ \text{Total Weight} - \text{Self-weight} & = & 799\text{kg maximum safe working load} \\ & & (\text{users, tools and materials}) \end{array}$$

Example 2:

An 850 tower built using the 3T method with a 11.7m platform height and a platform length of 2.5m has a self-weight of 408kg.

$$\begin{array}{rcl} 950\text{kg} & 408\text{kg} & \\ \text{Total Weight} - \text{Self-weight} & = & 542\text{kg maximum safe working load} \\ & & (\text{users, tools and materials}) \end{array}$$

For greater heights and loads, consult BoSS for guidance.

PLATFORM LOADING

On an 850 tower a platform comprises of a single deck only. The maximum safe working load (the combined weight of the users, tools and materials) that may be placed on a platform is 275kg, evenly distributed over the deck.

The quantities on [pages 11 and 12](#), will enable BoSS towers to be built safely and therefore comply with the requirements of the Work at Height Regulations 2005. They include double guardrails to all platforms, and toeboards will need to be added if any levels are used as working platforms and for storage of materials.

EN 1004 requires platforms at least every 4.2m, and these measures will exceed that requirement.



Quantity Schedule

850 Width Towers

BALLAST: Internal/External Use

There is no requirement for ballast on 850 towers if using stabilisers as detailed in the table on [page 12](#).

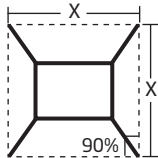
MOBILE OUTRIGGERS

MP16 outriggers can be used instead of SP15 stabilisers, as detailed below. Mobile outrigger kits comprise:

MOBILE OUTRIGGER KIT	
MP16 Mobile Outrigger	4
125/150/200mm Castor (Use same diameter castors as on tower)	4
250mm Adjustable leg	4
Plan Braces	4
The above components replace: SP15 Stabiliser	4

STABILISERS

To improve rigidity, larger stabilisers can be used at a lower level than shown in the table on [page 12](#).



Single Width 850 Towers Dimension X

	PLATFORM LENGTH 1.8M	PLATFORM LENGTH 2.5M
SP7	X= 2994	X= 3201
SP10	X= 4458	X= 4734
SP15	X= 5195	X= 5485

Stabiliser feet should form a square as shown in the diagram and table above.





Assembly Procedure

Mobile Towers - 3T Method

ASSEMBLY AND DISMANTLING PROCEDURES

When building a BoSS Tower:

- To comply with the Work at Height Regulations, we show assembly procedures with platforms every 2 metres in height, and, the locating of guardrails in advance of climbing onto a platform to reduce the risk of a fall.
- All platforms feature double guardrails on both faces of either individual platforms or fully decked levels.
- All guardrails should be 1 and 2 rungs (0.5m and 1.0m) above platforms.
- Never stand on an unguarded platform positioned above the first rung of a tower. If your risk assessment shows it necessary, you may also need to guardrail platforms at this level.
- Always start building with the smallest height frames at the base of the tower:

PLATFORM HEIGHT IN METRES	FRAME AT BASE
1.7, 2.2, 3.7, 4.2, 5.7, 6.2, 7.7, 8.2, 9.7, 10.2, 11.7, 12.2	2 rung
2.7, 4.7, 6.7, 8.7, 10.7	3 rung
1.2, 3.2, 5.2, 7.2, 9.2, 11.2	4 rung

Where all 3 frame heights are used in a tower, start with 2 rung frames at the base, with the 3 rung frames next and the 4 rung frames on the top. Refer to the quantity schedules for detail.

TO DISMANTLE A BoSS LADDERSPAN TOWER

- Remove toeboards, and pass down the tower.
- Unclip farthest end of braces and immediately go to protected trapdoor position on ladder to complete removal.
- Remove upper platforms from protected platform levels below.
- Pass removed components out of the tower to a colleague.

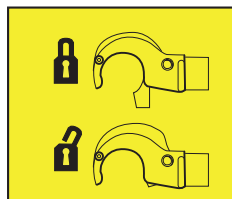
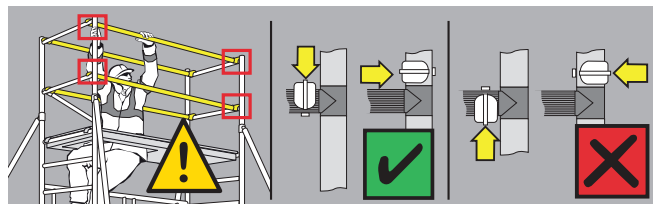


Safety Checklist

Mobile Towers - 3T Method

CHECKLIST

Ensure all brace claws operate and lock correctly prior to erection	<input checked="" type="checkbox"/>
Inspect components prior to erection	<input checked="" type="checkbox"/>
Inspect tower prior to use	<input checked="" type="checkbox"/>
Tower upright and level	<input checked="" type="checkbox"/>
Castors locked and legs correctly adjusted	<input checked="" type="checkbox"/>
Diagonal braces fitted	<input checked="" type="checkbox"/>
Stabilisers/outriggers fitted as specified	<input checked="" type="checkbox"/>
Platforms located and windlocks on	<input checked="" type="checkbox"/>
Toeboards located	<input checked="" type="checkbox"/>
Check guardrails are fitted correctly. See illustration below	<input checked="" type="checkbox"/>



Assembly Procedure

Mobile Towers - 1450 3T Method

ASSEMBLY FOR 1450 TOWERS

Always start building with the smallest height frames at the base of the tower:

PLATFORM HEIGHT IN METRES	FRAME AT BASE
1.7, 2.2, 3.7, 4.2, 5.7, 6.2, 7.7, 8.2, 9.7, 10.2, 11.7, 12.2	2 rung
2.7, 4.7, 6.7, 8.7, 10.7	3 rung
1.2, 3.2, 5.2, 7.2, 9.2, 11.2	4 rung

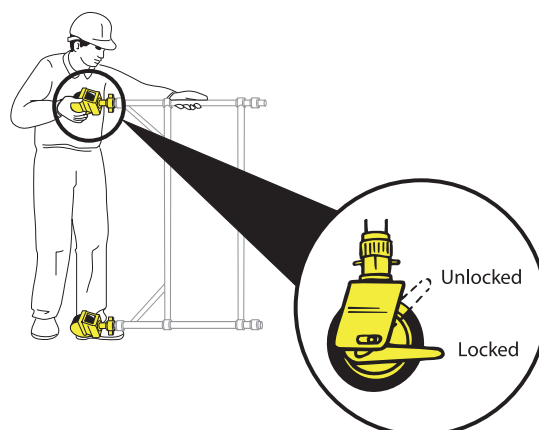
Where all 3 frame heights are used in a tower, start with 2 rung frames at the base, with the 3 rung frames next and the 4 rung frames on the top. Refer to the Quantity Schedules for detail. The procedure illustrated shows 4.2m platform height tower starting with a 2 rung frame.

BoSS recommend two persons are used to build BoSS Towers. Above 4m height, it is essential that at least two persons are used. Only climb the tower from the inside.

- 1** Push castor into adjustable leg. Push Castor /adjustable leg assemblies into 2 rung span frame. Lock castors. Repeat procedure with 2 rung ladder frame.

It is recommended that for ease of levelling a gap of 50mm is left between the bottom of the leg and the adjustable nut. Adjustable Legs are for levelling only. You must not adjust all four to gain extra height.

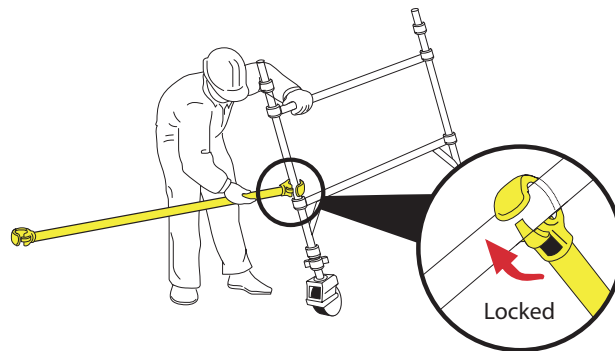
NB: Base plates can be fitted to adjustable legs in lieu of castors if it is not necessary to move the tower.



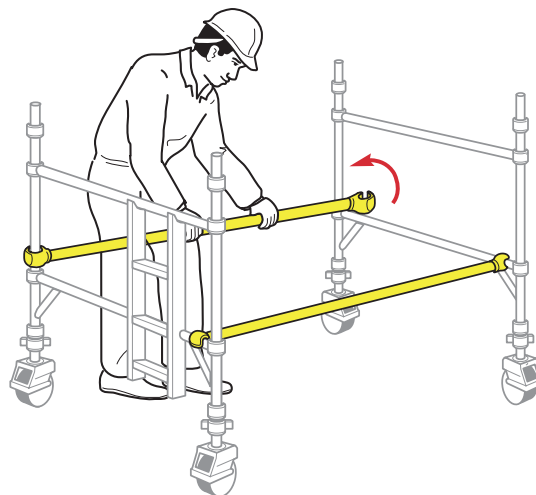
Assembly Procedure

- 2** Fit one horizontal brace (red) onto the vertical of a span frame, just above the bottom rung, with the claw facing outwards. The frame will now be self supporting.

Note: All locking claws must be opening before fitting.



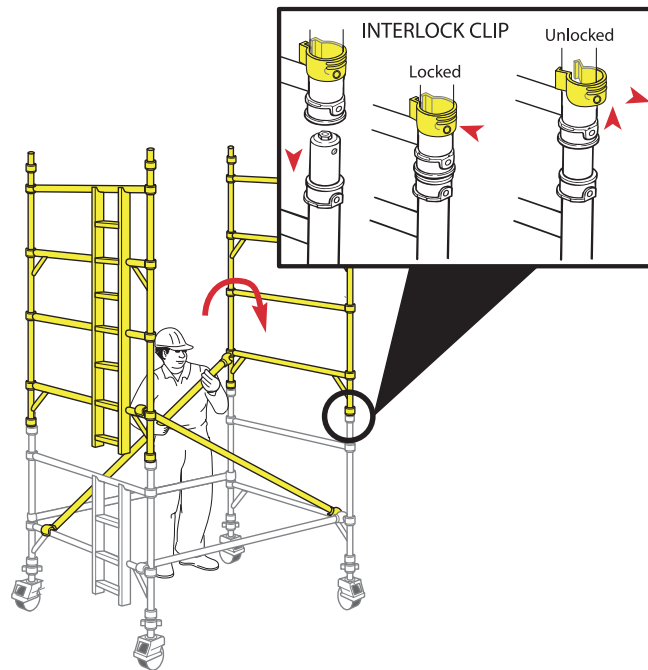
- 3** Position the ladder frame as shown and fit the other end of the horizontal brace on to the vertical (just above the bottom rung). Fit a second horizontal brace between the bottom rungs on the other side of the frames to square the tower.



Assembly Procedure

- 4 Fit 2 additional end frames, ensuring the frame interlock clips are engaged. Fit 2 diagonal braces (blue) in opposing directions, between the 1st and the 3rd rungs. Ensure the frames are vertical and level by checking with a spirit level and setting the adjustable legs as required.

IMPORTANT - Only use the adjustable legs to level the tower and not to gain extra height.

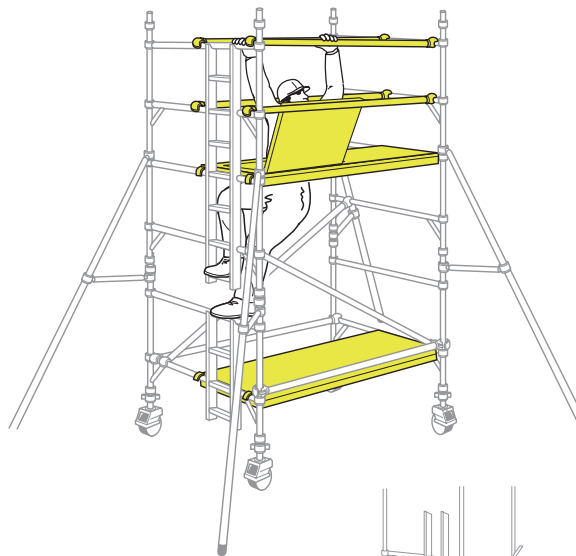


Assembly Procedure

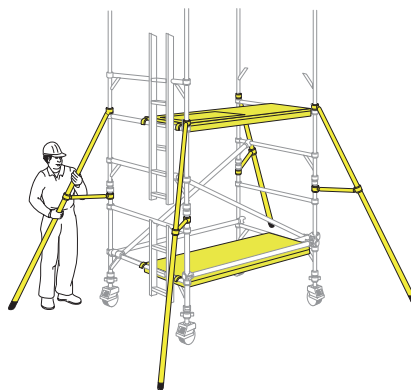
5 Fit a temporary deck on the lowest rungs. Fit a trapdoor deck on the 4th rung (2.0m) with the trapdoor next to the ladder. Ensure the trapdoor is positioned with the hinges towards the outside of the tower as shown. Climb the ladder and, from the protected trapdoor position, fit guardrails on the 5th and 6th rungs (in that order) on both sides of the platform.

Do not climb onto the deck until it is fully guard-railed.

When horizontal braces are fitted as guardrails, they should be 0.5m and 1.0m (1 and 2 rungs) above the platform level in all cases. Remove the temporary deck from the lowest rung.

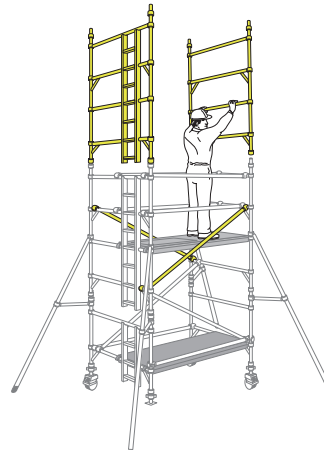


Fit stabilisers
(see notes on page 30)

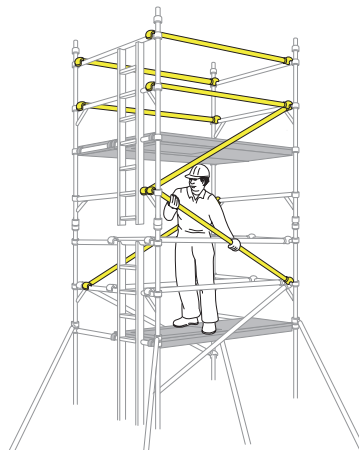


Assembly Procedure

- 6** Fit the next pair of diagonal braces in opposing directions between the 3rd and 5th rungs. Add 2 additional end frames.



- 7** Add two more diagonal braces between the 5th and 7th rungs. If finishing at this height (4.2m platform) reposition the fixed deck to the 8th rung on the tower. Fit a trapdoor deck alongside it, with the hinges towards the outside of the tower, and the trapdoor next to the ladder. Add a single diagonal between the 7th and 9th rungs as shown. Climb up the ladder, and from the protected trapdoor position, fit the guardrails on the 9th and 10th rungs, in that order, on both sides of the tower.

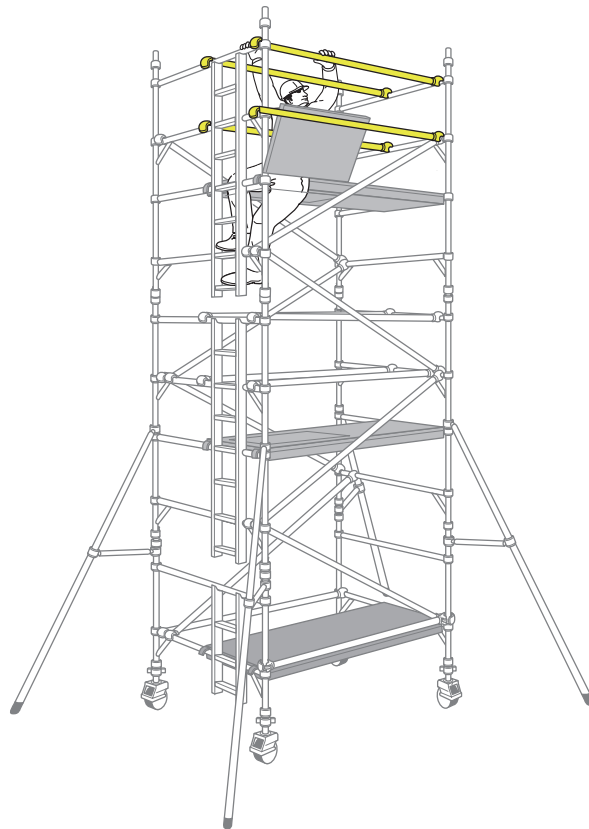


Assembly Procedure

When building beyond a 4.2m platform height.

- 8** Continue to add pairs of end frames, diagonal braces and fit trapdoor decks as shown in the previous steps. Add guardrails at 0.5m and 1.0m, (in that order), above the platform from the protected trapdoor position.

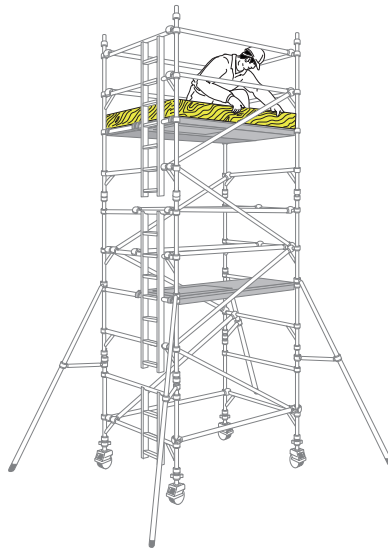
Do not climb onto the platform until it is fully guard-railed.



Continue until the required height is reached. Re-position the fixed deck to the required platform height and fit a trapdoor deck alongside it as shown in **Stage 7**. Fit a single diagonal at the top of the tower as shown in **Stage 7**. Fit the final guardrails as shown in **Stage 7**.

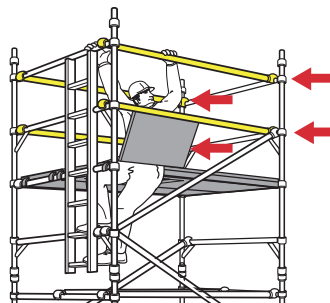
Assembly Procedure

- 9** Fit toeboards (see Instructions on [page 29](#)).
The tower is now complete.



Dismantling Procedure

- 10** To take down the tower reverse the building sequence. When removing guardrail braces, unlock the 4 claws furthest from the trapdoor and then return immediately to the protected position within the trapdoor. You may then unlock the claws at the other ends of the guardrails to remove them from the tower.



Assembly Procedure

Mobile Towers - 850 3T Method

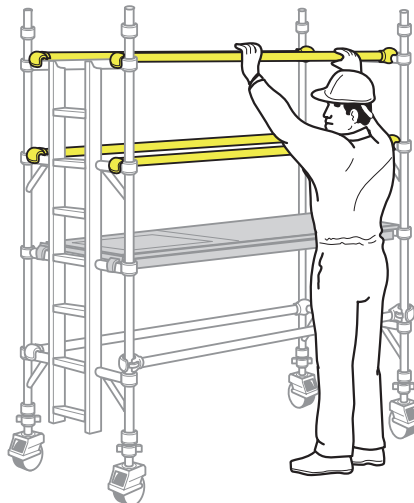
ASSEMBLY FOR 850 TOWERS

Always start building with the smallest height frames at the base of the tower:

PLATFORM HEIGHT IN METRES	FRAME AT BASE
1.7, 2.2, 3.7, 4.2, 5.7, 6.2, 7.7, 8.2, 9.7, 10.2, 11.7, 12.2	2 rung
2.7, 4.7, 6.7, 8.7, 10.7	3 rung
1.2, 3.2, 5.2, 7.2, 9.2, 11.2	4 rung

Where all 3 frame heights are used in a tower, start with 2 rung frames at the base, with the 3 rung frames next and the 4 rung frames on the top. Refer to the quantity schedules for detail. The procedure illustrated shows a 3.2m platform height tower starting with an 4 rung frame.

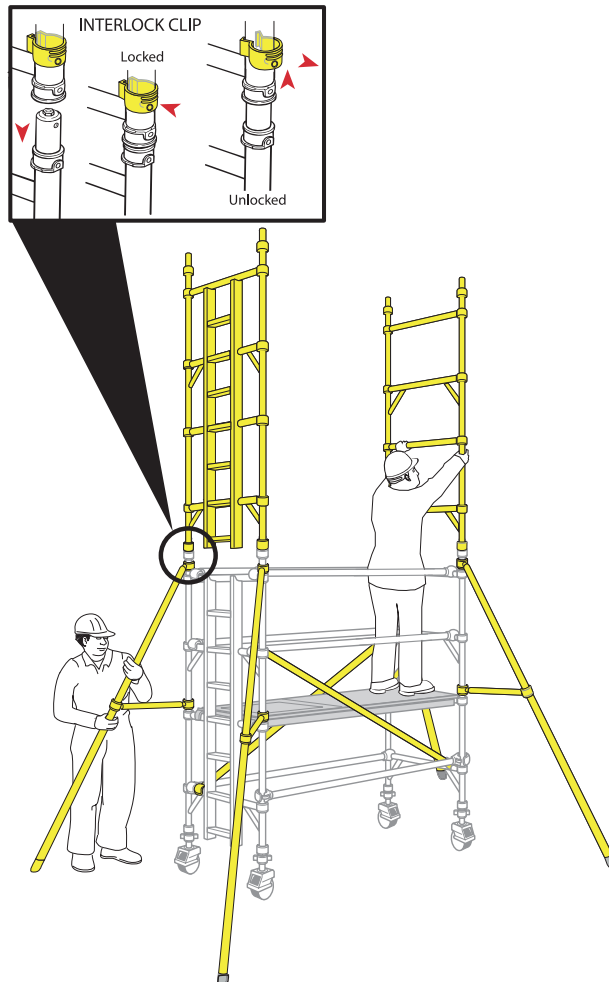
- 1** Insert adjustable leg/castor assemblies into end frames and lock the castors (see diagram **Step 1** - page 17). Base plates can be fitted to the adjustable legs if it is not necessary to move the tower. Fit 2 horizontal braces to the 850 end frames as shown in **Steps 2 and 3** for the 1450 tower procedure (page 18).
- 2** Fit a trapdoor deck on the 2nd rung. Fix the horizontal braces (red) as guardrails on the 3rd and 4th rungs (2 and 4 rungs above the platform) on both sides of the tower.



Assembly Procedure

- 3** Fit 2 diagonal braces in opposing directions between the 1st and 3rd rungs. Ensure that the frames are vertical and level by checking with a spirit level and setting the adjustable legs as necessary. Fit stabilisers (see notes on [page 30](#)). Fit the next pair of end frames and check the frame interlock clips are engaged.

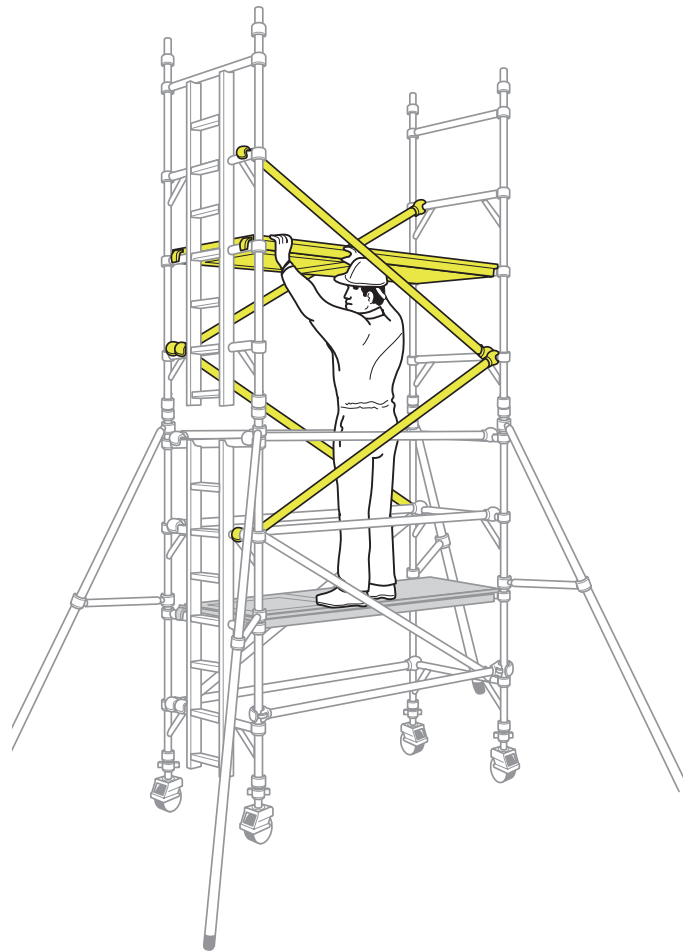
IMPORTANT. Only use the adjustment on the legs to level the tower and not to gain extra height.





Assembly Procedure

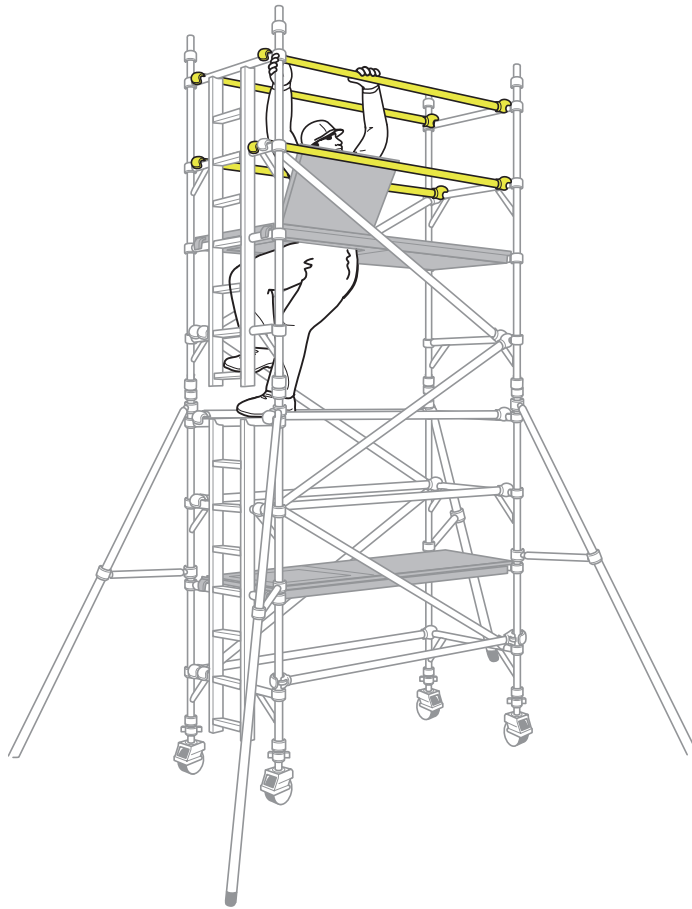
- 4** Fit 2 pairs of diagonal braces in opposing directions between the 3rd and 5th rungs and the 5th and 7th rungs. Locate a trapdoor deck on the 6th rung, with the trapdoor next to the ladder.





Assembly Procedure

- 5** Climb up the inside of the tower and from the protected position of the trapdoor, fit guardrails to the 7th and 8th rungs (in that order) on both sides of the tower.

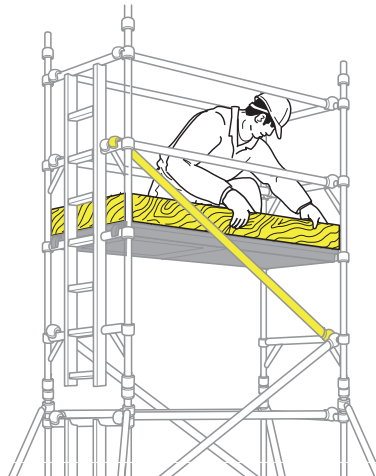


Assembly Procedure

- 6** Continue the procedure until the required working height is reached, adding additional pairs of end frames, diagonal braces and fitting trapdoor platforms, as shown on previous steps. At every platform level, add horizontal braces as guardrails from the protected position within the trapdoor (as shown in **Step 5**).

Fit a single diagonal at the top of the tower as shown.
Fit the toeboards (see instruction on **page 29**).

The tower is now complete.



Dismantling Procedure

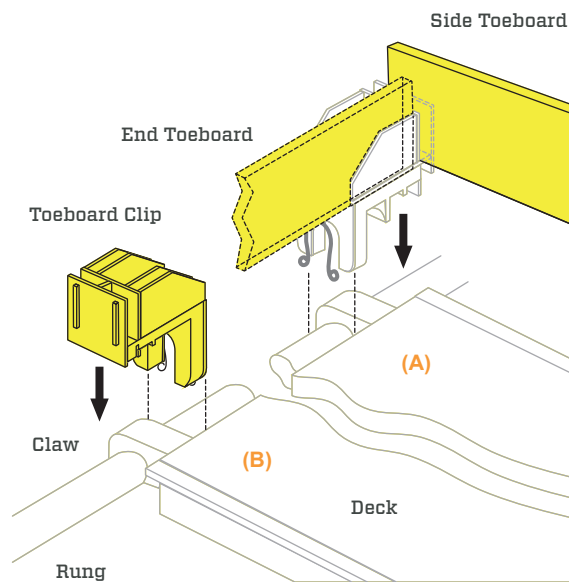
- 7** To take down the tower reverse the building sequence. When removing guardrail braces, unlock the 4 claws furthest from the trapdoor and then return immediately to the protected position within the trapdoor. You may then unlock the claws at the other ends of the guardrails to remove them from the tower.

Toeboards

Mobile Towers - 3T Method

FITTING TOEBOARDS

Lock yellow plastic toeboard clips over rung and deck claw as shown. Position as (A) on right hand deck claw. On other side of the working platform, position the clip as (B). Place 25mm thick toeboards into slots in toeboard clips as shown.





Stabilisers and Outriggers

Mobile Towers - 3T Method

STABILISERS

Attach one stabiliser to each corner of the tower as shown. Ensure that stabiliser feet are equally spaced to form a square.

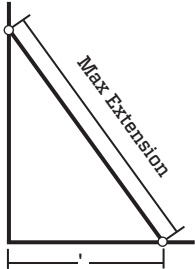
SP10 and SP15 telescopic stabilisers must always be fully extended.

Position the lower clamp so that the lower arm is as close to the horizontal as possible. Adjust the position of the top clamp to ensure the stabiliser foot is in firm contact with the ground. Ensure clamps are secure.

Stabilisers are used when the tower is to be moved occasionally; frequent movement will require mobile outriggers.

When moving the tower, adjust the top clamps to lift the four stabiliser feet a maximum of 25mm off the ground and then unlock the castor brakes. After moving ensure all four stabiliser feet are repositioned in firm contact with the ground.

STABILISER DIMENSIONS



	y
SP7	1227
SP10	2241
SP15	2757

OUTRIGGERS

For information on mobile outriggers please consult your supplier.





For further information about this product or any other products and services, please contact:

The Causeway, Maldon,
Essex, CM9 4LJ,
United Kingdom

☎ +44 (0)1621 745900

☎ +44 (0)1621 859845

✉ uk.customercare@wernerco.com

bossacesstowers.com

Members of:



P/N03299400

@WernerCo Rev 2 09/16

